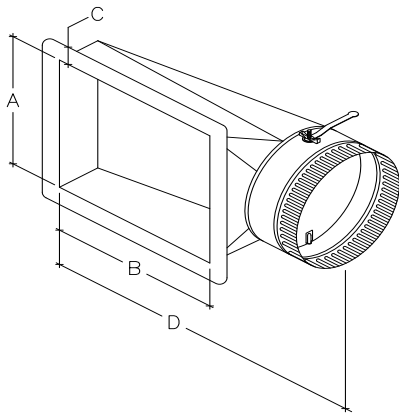


# Submittal Data

## Model 216 Top Gasketed Take Off Fitting with Damper

### Standard Construction

- + 26 Gauge Galvanized Steel
- + ¾" Wide flange with double stick neoprene gasket



### Dimensional Data

Diameter	A	B	C	D
6	6	6	¾	13½
7	7	7	¾	14¼
8	8	8¼	¾	16
9	9	9	¾	18¼
10	11¼	9½	¾	19
12	12	12	¾	22

All dimensions are in inches.

